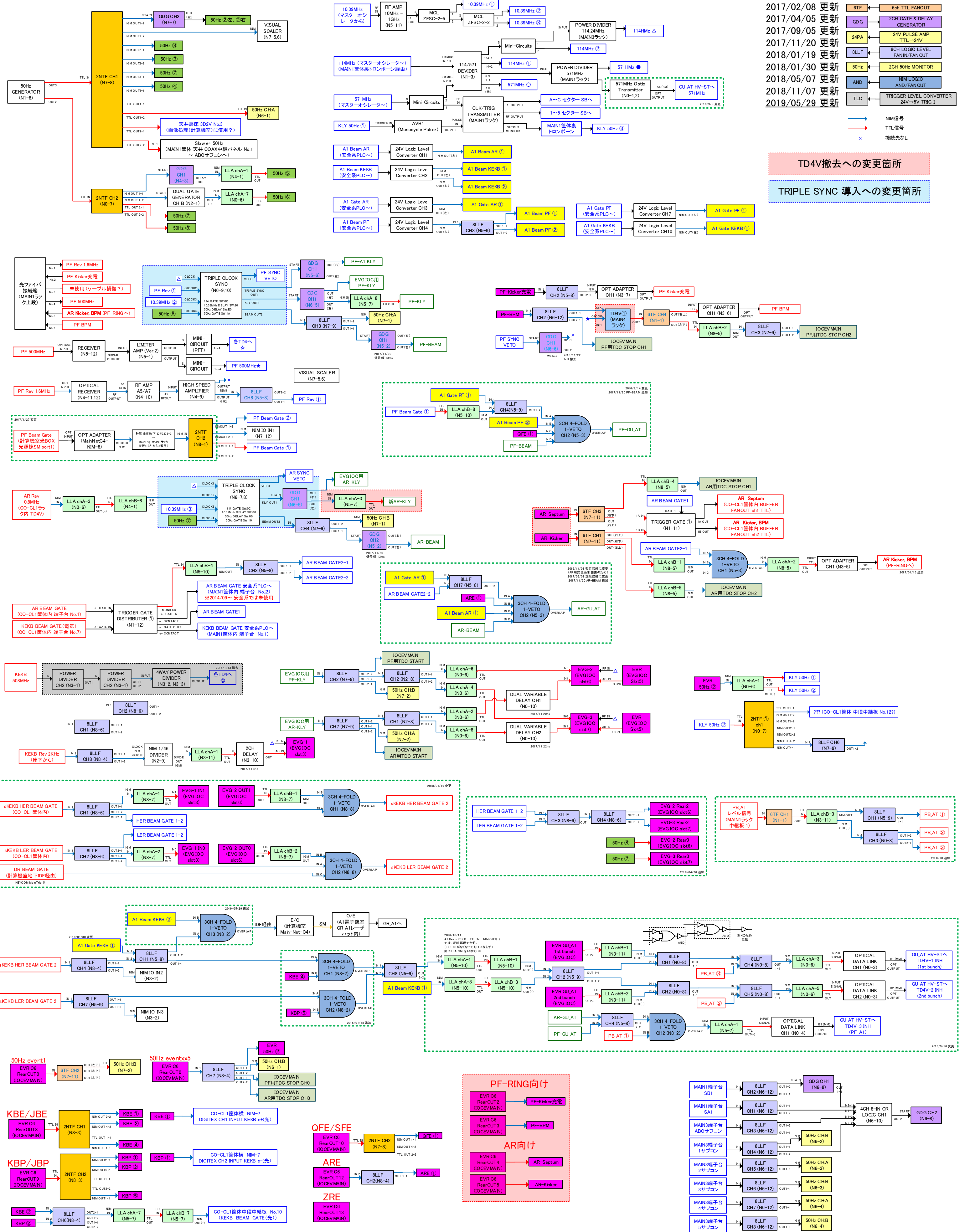
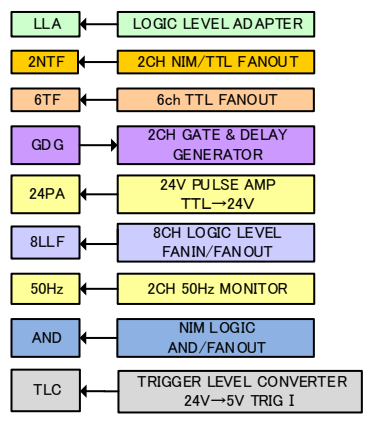


Main Trigger Station 2019/05/29 更新

- 2006/03/15 作成
- 2017/01/27 更新
- 2017/02/08 更新
- 2017/04/05 更新
- 2017/09/05 更新
- 2017/11/20 更新
- 2018/01/19 更新
- 2018/01/30 更新
- 2018/05/07 更新
- 2018/11/07 更新
- 2019/05/29 更新



TD4V撤去への変更箇所

TRIPLE SYNC 導入への変更箇所

HER BEAM GATE 1-2

LER BEAM GATE 1-2

PB.AT レベル信号 (MAINラック 中継板 1)

EVG-2 Rear2 (EVGIOC sbt6)

EVG-3 Rear2 (EVGIOC sbt6)

EVG-3 Rear3 (EVGIOC sbt6)

EVG-3 Rear3 (EVGIOC sbt7)

PB.AT ①

PB.AT ②

PB.AT ③

GU AT HV-ST TD4V-1 INH (1st bunch)

GU AT HV-ST TD4V-2 INH (2nd bunch)

GU AT HV-ST TD4V-3 INH (PF-A1)

EVG GU AT 1st bunch (EVGIOC)

EVG GU AT 2nd bunch (EVGIOC)

AR-GU AT

PF-GU AT

